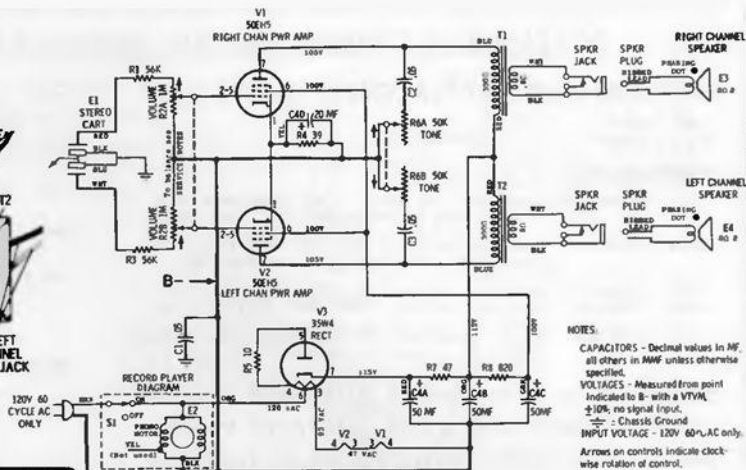
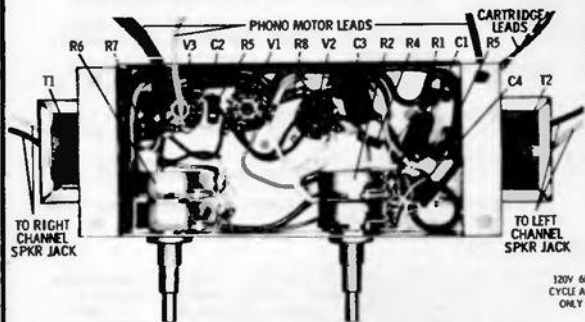
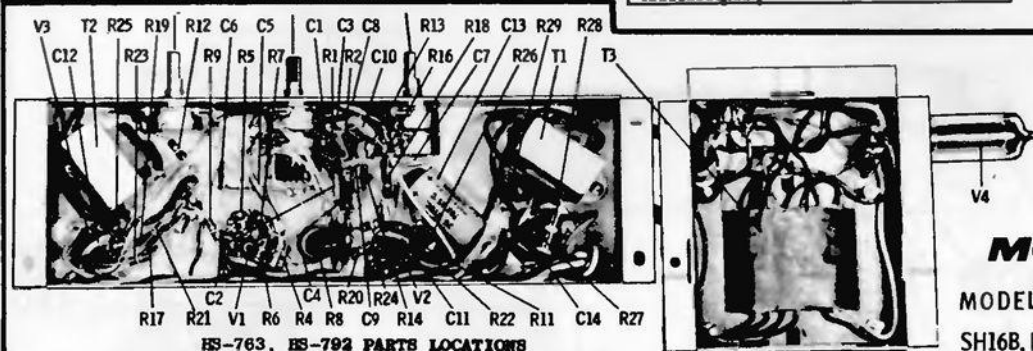


# MOTOROLA

MODEL SF14SL CHASSIS HS-761



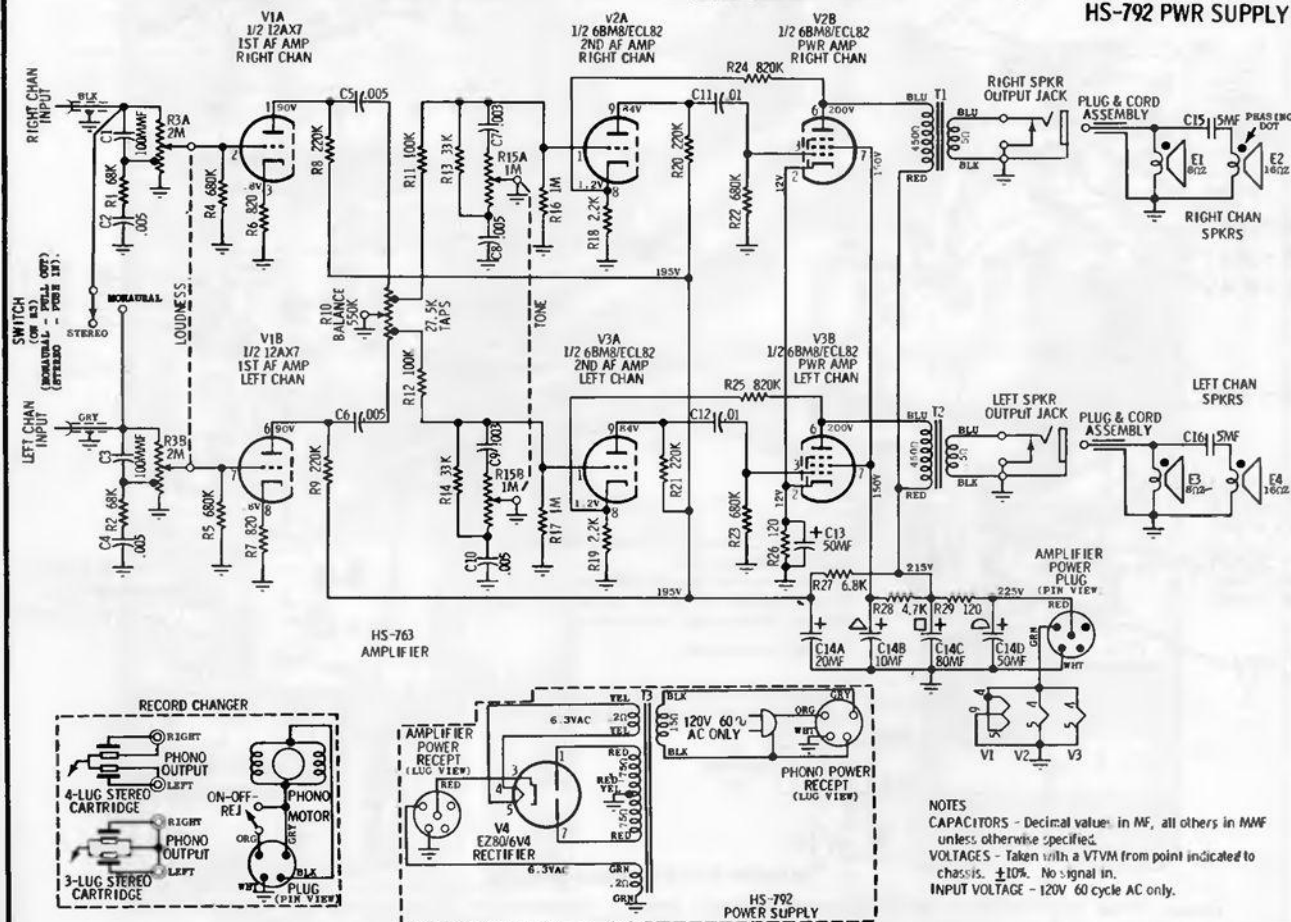
NOTES:  
 CAPACITORS - Decimal values in MF, all others in MMF unless otherwise specified.  
 VOLTAGES - Measured from point indicated to B- with a VTVM,  $\pm 10\%$  no signal input.  
 - Chassis Ground  
 INPUT VOLTAGE - 120V 60% AC only.  
 Arrows on controls indicate clockwise rotation of control.



HS-763, HS-792 PARTS LOCATIONS

# MOTOROLA

MODELS SH16B, E CHASSIS HS-763 AUDIO AMP HS-792 PWR SUPPLY



HS-763 AMPLIFIER

HS-792 POWER SUPPLY

NOTES:  
 CAPACITORS - Decimal values in MF, all others in MMF unless otherwise specified.  
 VOLTAGES - Taken with a VTVM from point indicated to chassis. No signal in.  
 INPUT VOLTAGE - 120V 60 cycle AC only.